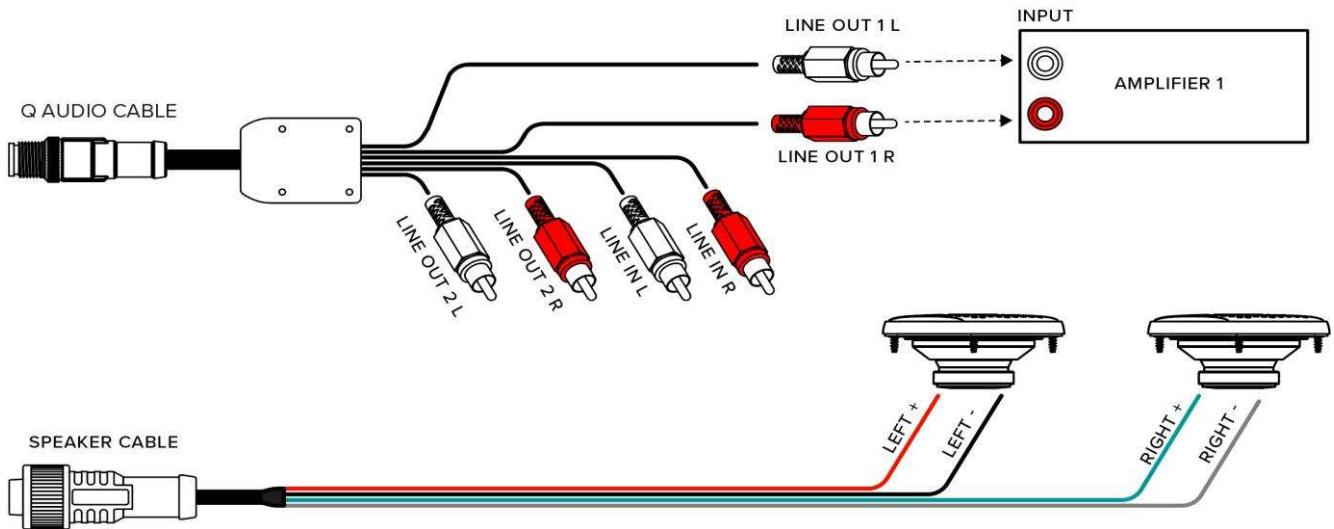
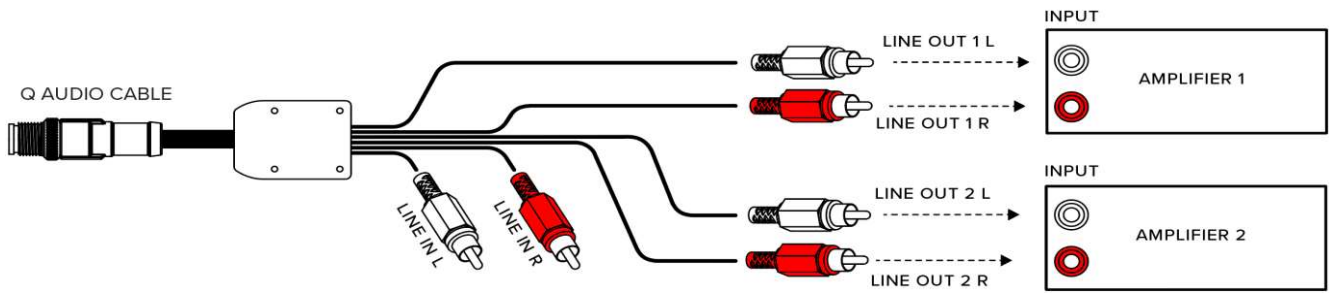


9. Entertainment installation

Note that Q Display has an internal audio amplifier as well as support for two external amplifiers. Two audio zones can be controlled separately:



a. Internal amplifier + LINE OUT 1 (external)

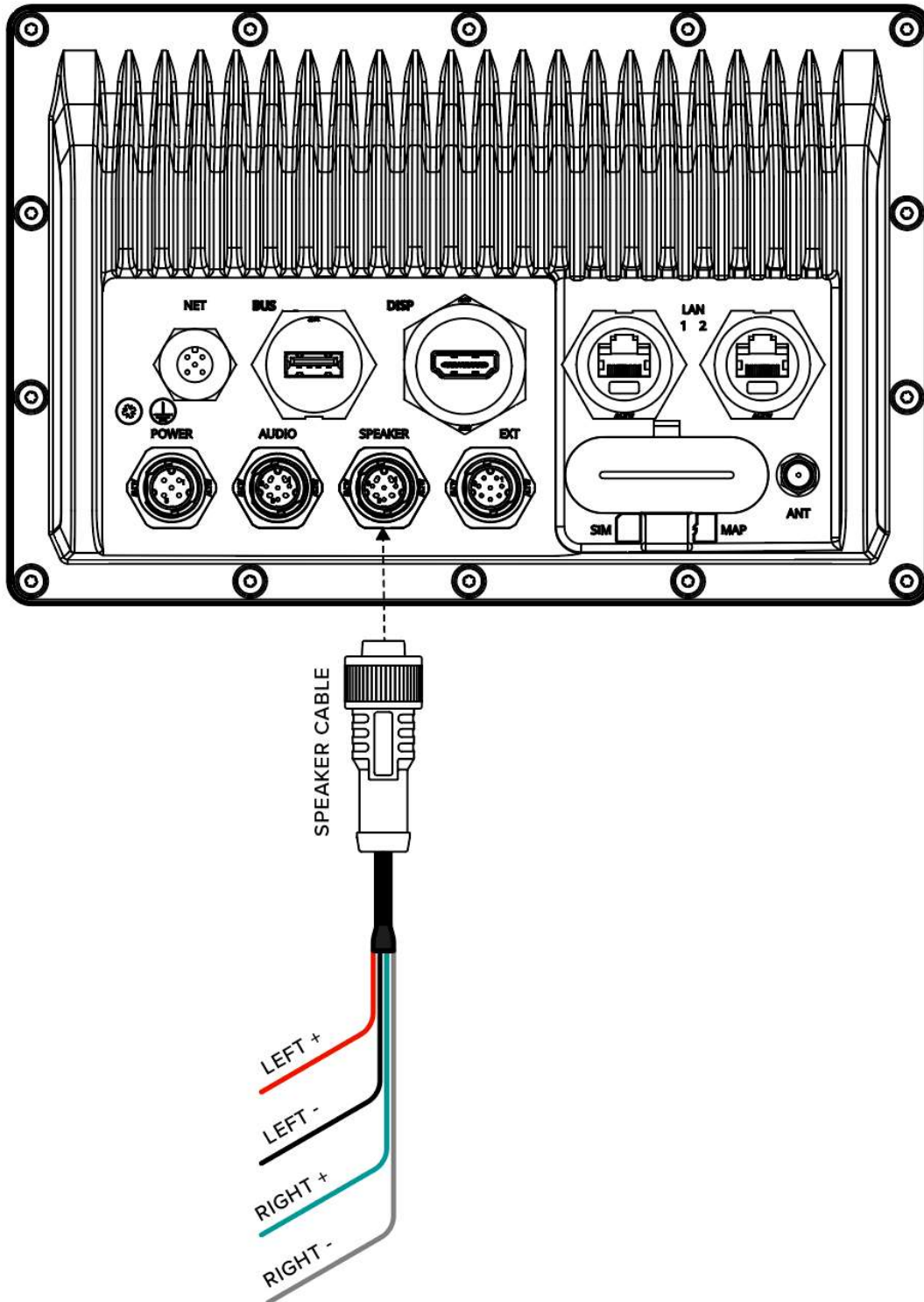


b. LINE OUT 1 (external) + LINE OUT 2 (external)

LINE OUT 2 is connected parallel to internal amplifier signal.

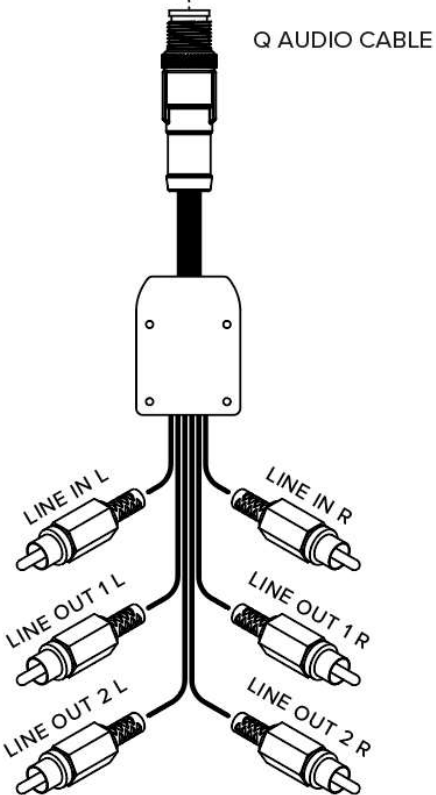
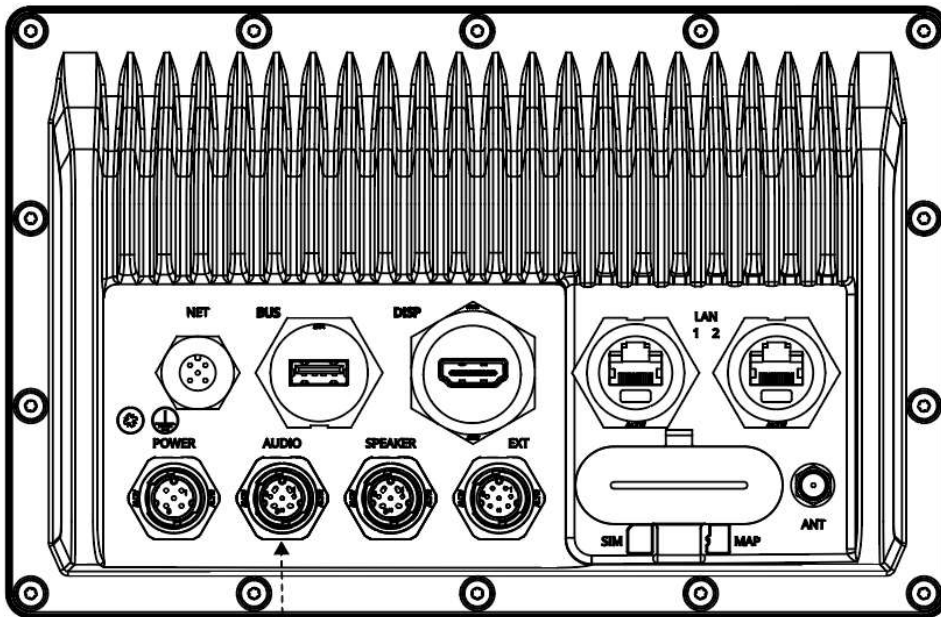
9.1. Speaker connections (Internal amplifier)


Connect Q Speaker Cable (provided separately) to the Q Display SPEAKER connector.



9.2. Audio connections (External amplifier)

Connect Q Audio Cable (provided separately) to the Q Display AUDIO connector.





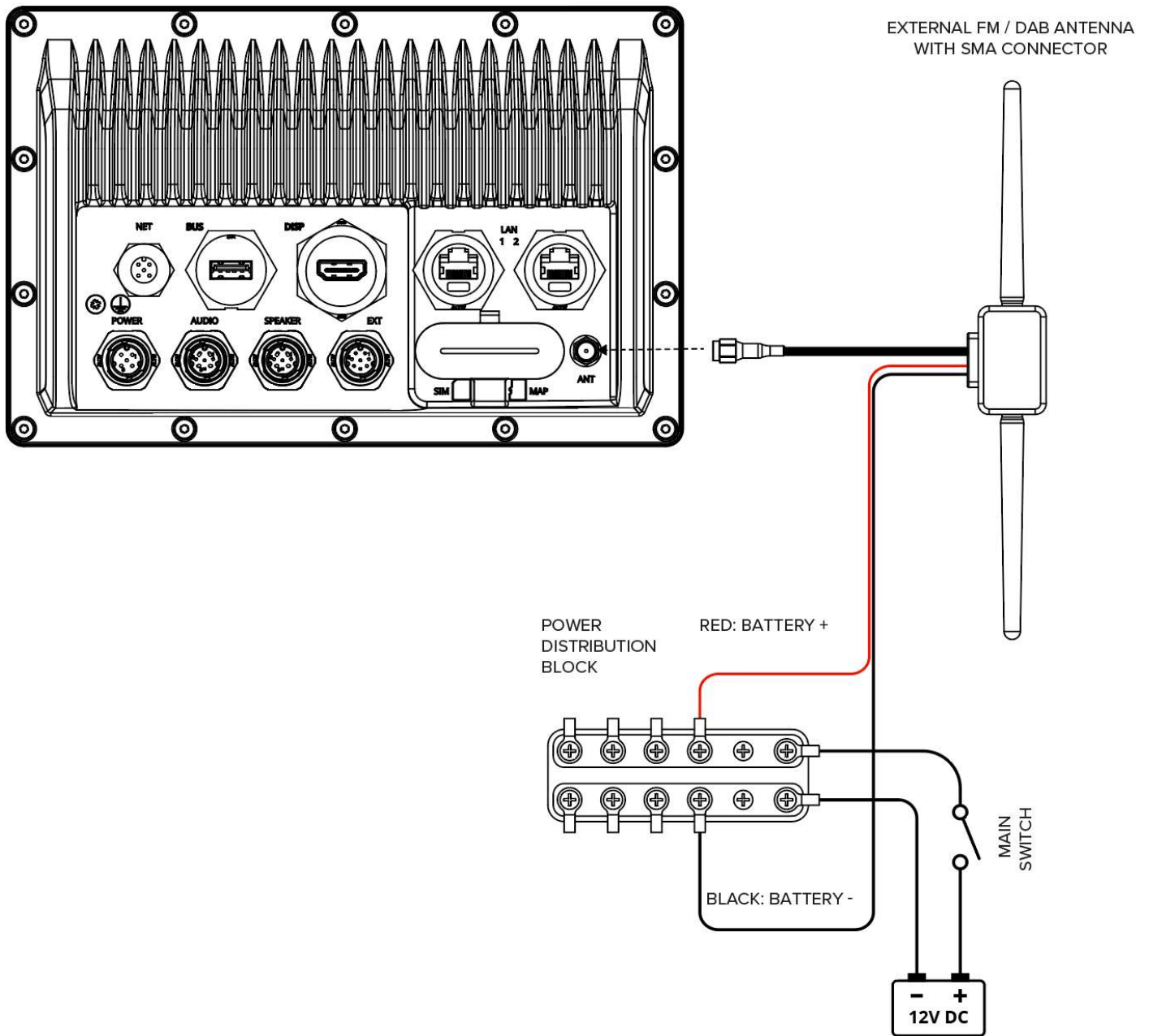
WARNING: DO NOT connect audio ground (LINE OUTs) to a supply voltage! This will result in permanent damage to the device.

LINE IN can be used as an auxiliary input, selectable as source in the Music app.

LINE OUT 1 and LINE OUT 2 volume can be controlled separately.

Note that LINE OUT 2 is connected parallel to the internal amplifiers signal.

9.3. FM-antenna connections



Connect FM/DAB antenna (provided separately) to the Q Display ANT connector. You can use FM/DAB antenna with SMA connector, or you can use SMA male to DIN female adapter cable and connect any FM/DAB antenna with DIN male connector to the adapter cable.

9.4. Bluetooth

The Q Display can be connected to other devices via Bluetooth to play and control audio and to receive phone calls.